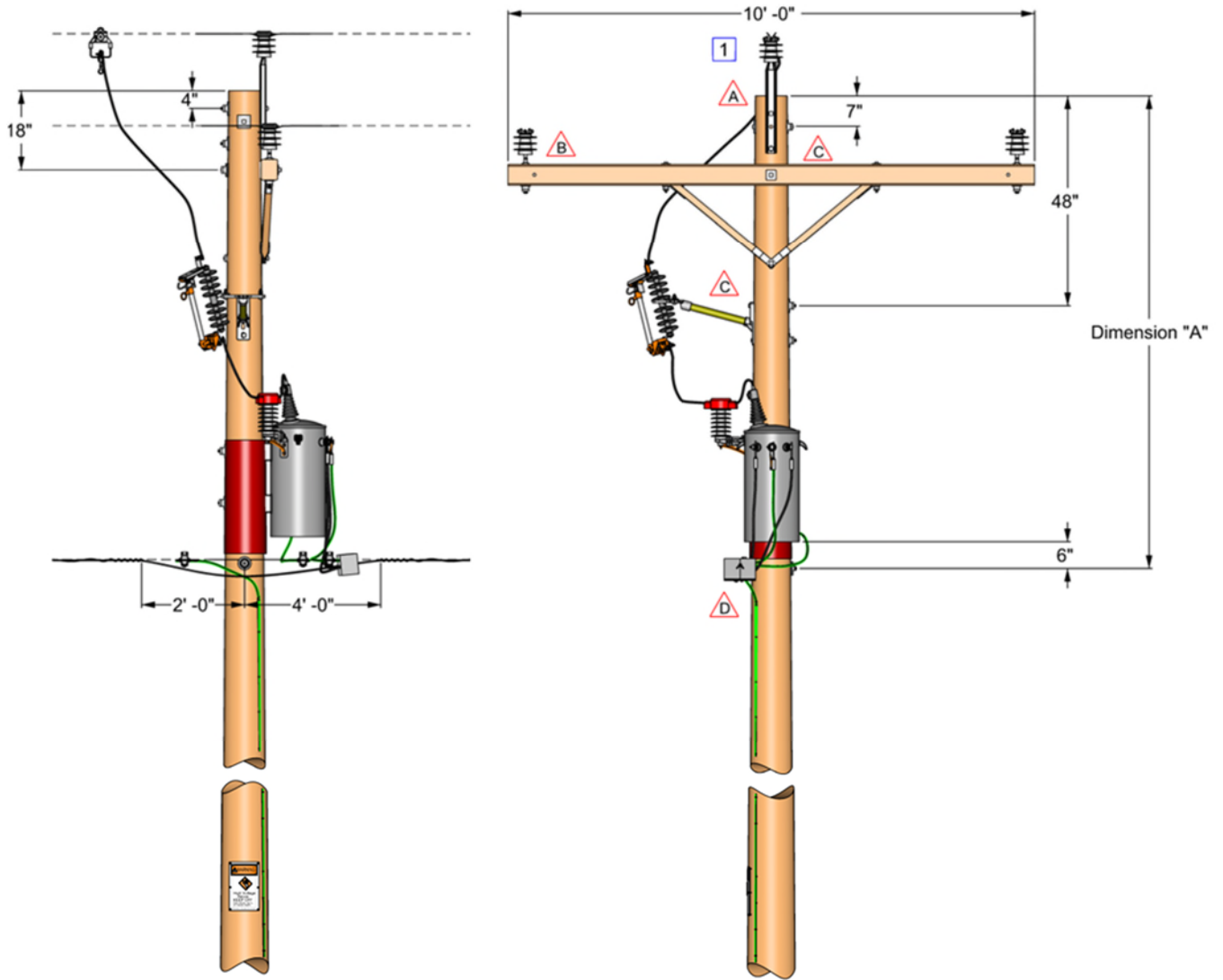


1 Maximum line angle on pin insulator shall be limited to 5 degrees.

TRANSFORMER SIZE	DIMENSION "A"	
	TRUCK ACCESS	NO TRUCK ACCESS
50 kVA or Smaller	9' - 0"	10' - 6"
Larger than 50 kVA	10' - 6"	12' - 6"

Single Phase Transformer on Single Phase and Three Phase Line



1 Maximum line angle on pin insulator shall be limited to 5 degrees.

TRANSFORMER SIZE	DIMENSION "A"	
	TRUCK ACCESS	NO TRUCK ACCESS
50 kVA or Smaller	9' - 0"	10' - 6"
Larger than 50 kVA	10' - 6"	12' - 6"